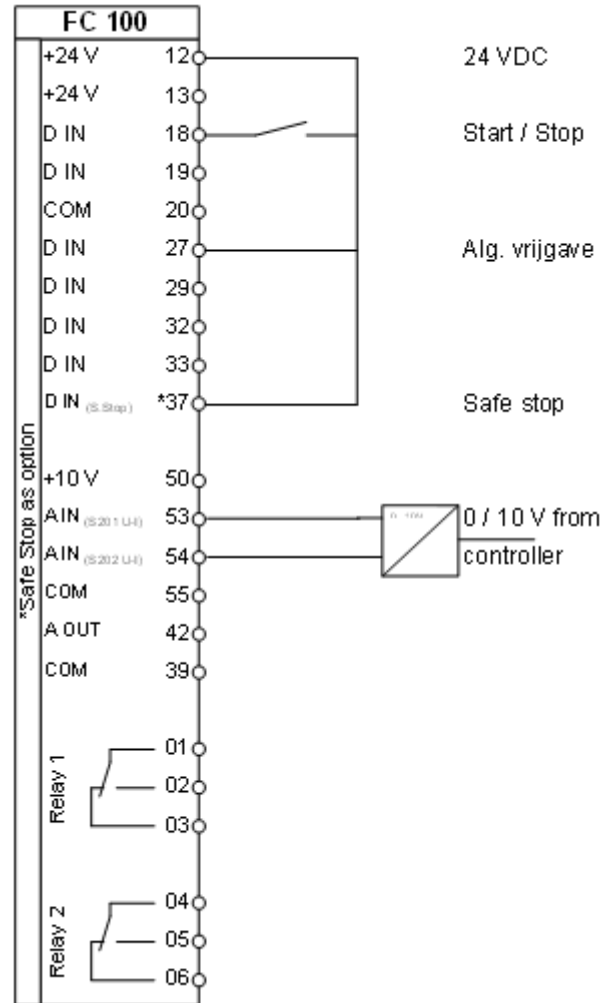


## Parameter settings for Danfoss VLT® HVAC drive FC102

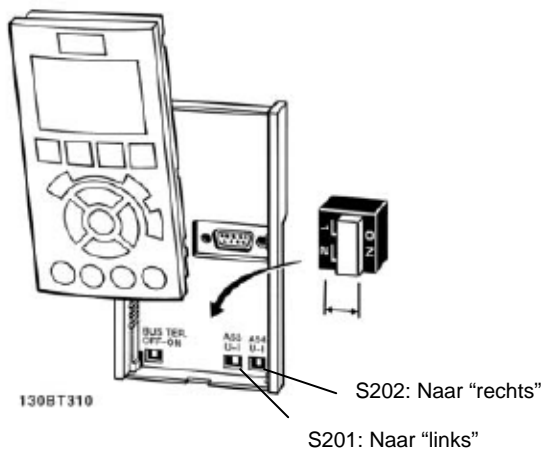
1\* 0 – 10 V signal from controller



Control panel LCP102



Aansluitschema met Analoge referentie



Dipswitches S201 en S202 bevinden zich onder het LCP

## Parameter Settings

### Group 0 – Operation & Display

Par.	Description	Settings	Serial port value
001	Language	English	0
002	Motor speed unit	Hz	1
022	Display line 1.3 small	Analog input 53	1662
023	Display line 2 large	Frequency [Hz]	1613

### Group 1 – Load & Motor

Par.	Description	Settings	Serial port value
100	Configuration	Open loop	0

### Group 3 – Reference / Ramps

Par.	Description	Settings	Serial port value
302	Minimum reference	0 Hz	0
303	Maximum reference	50 Hz	50000
315	Reference 1 source	Analog input 53	1
316	Reference 2 source	No function	0
317	Reference 3 source	No function	0
341	Ramp 1 ramp-up time 1	15 sec	15
342	Ramp 1 ramp-down time 1	15 sec	15

### Group 6 – Analog In/Out

Par.	Description	Settings	Serial port value
610	Terminal 53 low voltage	0 V	0
611	Terminal 54 high voltage	10 V	10000
614	Terminal 53 low ref. / feedb. value	0 Hz	0
615	Terminal 53 high ref. feedb. value	50 Hz	50000