



JOHNSON PUMP
AN SPX BRAND

Seal Repair Kit Instruction

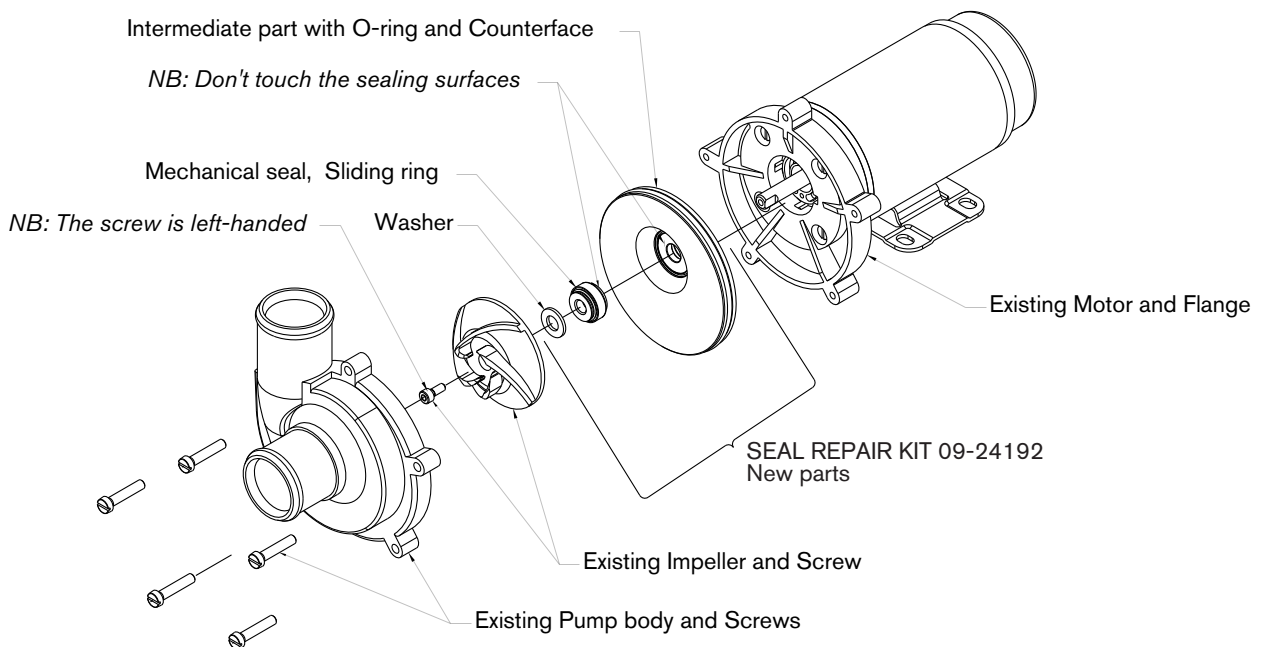
for pump type C090-12 V/24 V

Disassembly:

- Unbolt and remove the pump body.
- Unbolt and remove the impeller (“pump wheel”).
Note Bene! the screw opens clockwise (CW).
- Remove the old Sliding ring.
- Remove the complete Intermediate part.
- Clean the shaft and the surfaces where the Intermediate part will mate.

Assembly:

- Install the new complete Intermediate part.
Note Bene! Don't remove the counterface, because it is installed and checked to meet the specified perpendicular tolerance. Don't touch the sealing surface.
- Install the new Sliding ring. *Don't touch the sealing surface.*
- Install the new Washer.
- Re-install the Impeller and tighten the screw.
Note Bene! The screw shall be tightened counter clockwise (CCW).
- Re-install the Pump body and tighten the five screws.



Besök www.johnson-pump.com för mer information om vår världsomspännande organisation, våra godkännanden, certifieringar och lokala representanter. SPX Corporation förbehåller sig rätten att ändra design och material utan föregående avisering. Designelement, konstruktionsmaterial och dimensioner som beskrivs i denna bulletin gäller endast som information och skall alltid bekräftas skriftligt för att vara gällande.

For more information about our worldwide locations, approvals, certifications, and local representatives, please visit www.johnson-pump.com. SPX Corporation reserves the right to incorporate our latest design and material changes without notice or obligation. Design features, materials of construction and dimensional data, as described in this bulletin, are provided for your information only and should not be relied upon unless confirmed in writing.

Für weitere Informationen über unsere weltweiten Standorte, Zulassungen, Zertifizierungen und unsere Vertreter vor Ort, besuchen Sie bitte unsere Webseite: www.johnson-pump.com. Die SPX Corporation behält sich das Recht vor, die neuesten Konstruktions- und Werkstoffänderungen ohne vorherige Ankündigung und ohne Verpflichtung hierzu einfließen zu lassen. Konstruktive Ausgestaltungen, Werkstoffe sowie Maßangaben, wie sie in dieser Mitteilung beschrieben sind, sind nur zur Information. Alle Angaben sind unverbindlich, es sei denn, sie wurden schriftlich bestätigt.

Pour plus d'information sur nos succursales internationales, nos approbations, nos certifications et nos représentants locaux, veuillez consulter notre site Internet au www.johnson-pump.com. SPX Corporation se réserve le droit d'incorporer nos plus récents concepts ainsi que tout autre modification importante sans préavis ou obligation. Les éléments décoratifs, matériaux de construction et les données dimensionnelles, tels qu'énoncés dans ce communiqué, sont fournis pour votre information seulement et ne doivent pas être considérés comme officiels à moins d'avis contraire par écrit.

Para más información sobre nuestras oficinas a nivel mundial, aprobaciones, certificaciones y representantes locales, por favor visite www.johnson-pump.com. SPX Corporation se reserva el derecho de incorporar nuestro diseño más reciente y cambios materiales sin necesidad de notificación previa u obligación de ningún tipo. Características de diseño, materiales de construcción y dimensiones, tal y como están descritas en este boletín, son proporcionadas sólo con fines informativos y no deben ser usados como referencia a menos que sean confirmados por escrito.

Per ottenere maggiori informazioni sulle nostre sedi nel mondo, autorizzazioni, certificazioni, e rappresentanti locali, potete visitare il sito www.johnson-pump.com. La SPX Corporation si riserva il diritto di apportare cambiamenti ai propri design e materiali senza preavviso o vincolo. Le caratteristiche del design, i materiali di costruzione e i dati dimensionali, così come descritti nel presente bollettino, sono forniti solo per vostra informazione e non saranno oggetto di obbligazione salvo autorizzazione confermata per iscritto.



SPX Flow Technology
SPX Flow Technology Örebro AB
Nastagatan 19, P.O. Box 1436
SE-701 14 Örebro, Sweden
Phone: +46 (0)19 21 83 00 Fax: +46 (0)19 27 23 72
E-mail: johnson-pump.marine@spx.com



For more information about our worldwide locations, approvals, certifications, and local representatives, please visit www.johnson-pump.com and www.spxft.com

SPX Corporation reserves the right to incorporate our latest design and material changes without notice or obligation. Design features, materials of construction and dimensional data, as described in this bulletin, are provided for your information only and should not be relied upon unless confirmed in writing.

Copyright © 2009 SPX Corporation