

## Fitting Notap connector type S1

### Connectors for type S1 clamp with non-return valve

The connectors are made of surfaced brass with a swivel nut and an insert, which has the dual purpose of opening the integral non-return valve and sealing against the clamp when fitting.

**Connectors with a 1/2" male thread** are also suitable for 15 mm copper pipe and compression fittings (nut and compression ring not included). The 8 mm (0,31 in) bore gives the straight connector a flow of approx. 720 l/h (190 US GPH, 158 IMP GPH) and the elbow connector 540 l/h (142 US GPH, 118 IMP GPH) at a pressure drop of approx. 0.1 bar (1.45 psi).

### Connectors for clamps with a 3/4" thread

Straight connector w/o valve art.No. 13 720 0  
 Straight connector with valve art.No. 13 740 0  
 Elbow connector with valve art.No. 13 780 0

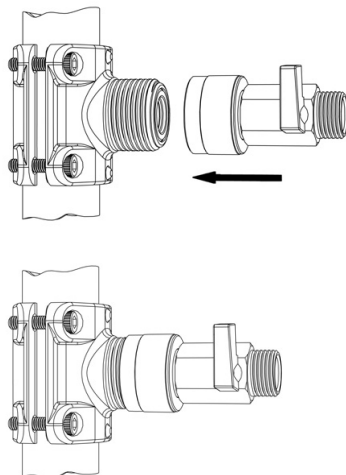
### Connectors for clamps with a 1" thread

Straight connector w/o valve art.No. 13 730 0  
 Straight connector with valve art.No. 13 750 0  
 Elbow connector with valve art.No. 13 790 0

**A connector with a 3/4" male thread** and a 14 mm bore gives a flow of approx. 1800 l/h (475 US GPH: 395 IMP GPH) at a pressure drop of approx. 0.1 bar (1.45 psi).

### For clamp with 1" thread

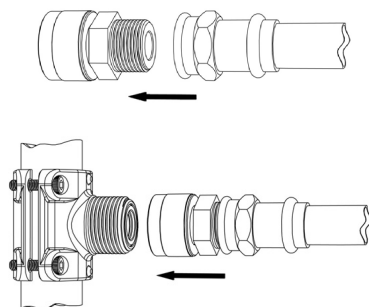
Straight connector without valve art.No. 13 735 0



### Fitting connectors with shut off valve

- (1) Check that the valve is closed.
- (2) Press the connector against the clamp so that the insert goes a little way into the clamp.
- (3) Screw the nut carefully until it catches the thread (a few turns). Some resistance may be felt when inserting the connector in the clamp, partly because the non-return valve will open and the water pressure will tend to force the connector out, and partly because the insert is slightly bigger than the opening in the clamp to provide a seal and prevent leakage while fitting. To overcome this resistance, press the connector inward while tightening the nut.
- (4) Adjust the valve to the correct position.
- (5) Tighten on the nut so that the gasket forms a seal.

Minor leakage may, however, occur while fitting the connector.



### Fitting connectors without a shut off valve

When the connector is fitted, the non-return valve will open and a flow will occur if the pipe is under pressure. For this reason, it is important to ensure that the system has been drained or to provide the connector with a shutoff valve. The line to be connected must be free to move when attaching the connector to the clamp.

- (1) Check that the valve in the pipe is closed.
- (2) Attach the connector to the pipe.
- (3) Fit the connector to the pipe as described above for a connector with a valve.

### Caution!

The non-return valve in the clamp is intended primarily for use when the connector is fitted, although it will often continue to work for a considerable time afterwards. Nevertheless, caution must be observed when connecting or disconnecting a connector from an existing clamp.